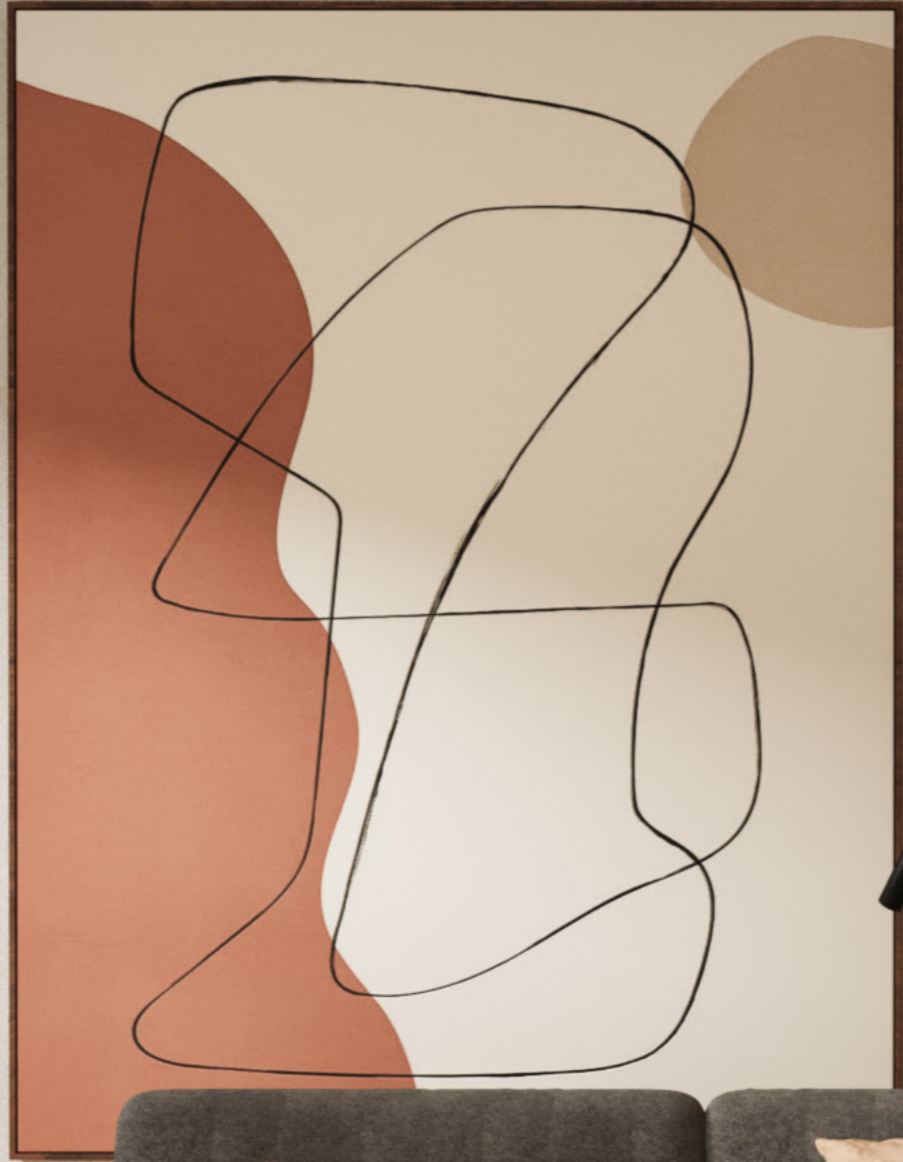


ALESSA

DINING COLLECTION

TRINITEE



GYPSET LIVING

ALESSA

Alessa Dining Collection

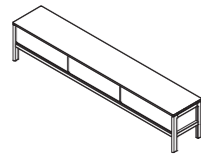
Description

The Alessa dining range embraces a contemporary and elegant homage to craftsmanship and fine detailing. Solid wormy chestnut timber and soft edges celebrate the natural solid nature of the material.



Material

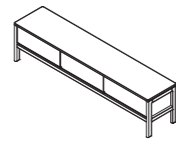
Feature grade Wormy Chestnut, a testament to nature's resilience. Born from wildfires, droughts, and the passage of time, each piece carries the signature of nature's artistry. Deep red gum veins, a result of fire's touch, intertwine with ambrosia beetle marks, pinholes, and squiggly worm trails. Known as Southern Blackbutt or Chestnut, this wood embodies the spirit of endurance. Floods and winds have sculpted its form, leaving a textured legacy that narrates its journey. Wormy Chestnut invites you to embrace imperfections and celebrate the beauty that emerges from life's challenges—a timeless addition to any space, where history and nature's craftsmanship converge.



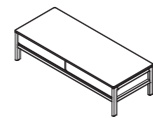
**TV Unit
Dimensions**
2200 x 430 x 490



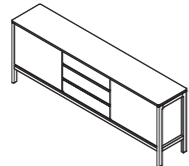
**Lamp Table
Dimensions**
600 x 600 x 445



**TV Unit
Dimensions**
1800 x 430 x 490



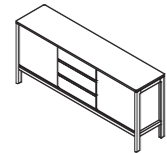
**Coffee Table
Dimensions**
1600 x 650 x 415



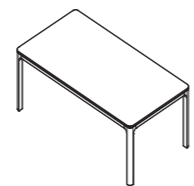
**Buffet
Dimensions**
2200 x 430 x 800



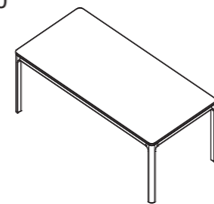
**Console
Dimensions**
1600 x 400 x 760



**Buffet
Dimensions**
1800 x 430 x 800



**Dining Table
Dimensions**
2000 x 1050 x 760



**Dining Table
Dimensions**
2400 x 1150 x 760

Warranty

All of our product is backed by a 12 month structural warranty.



WORMY CHESTNUT

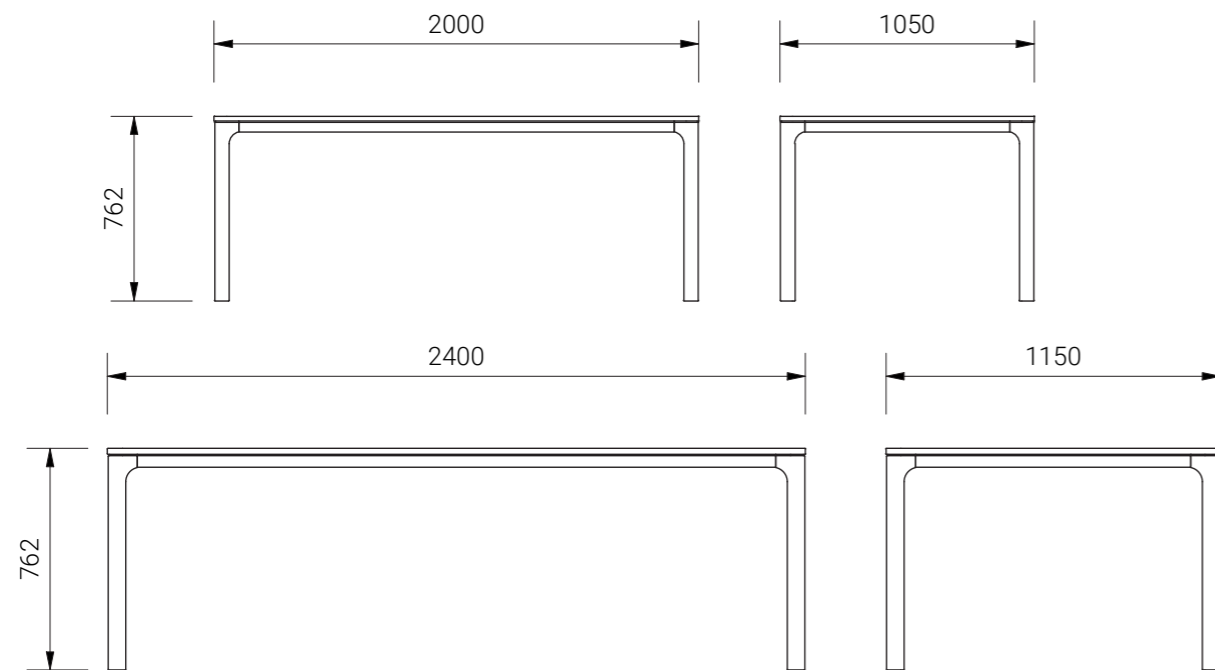


DINING TABLE

Alessa Dining Collection



DIMENSIONS

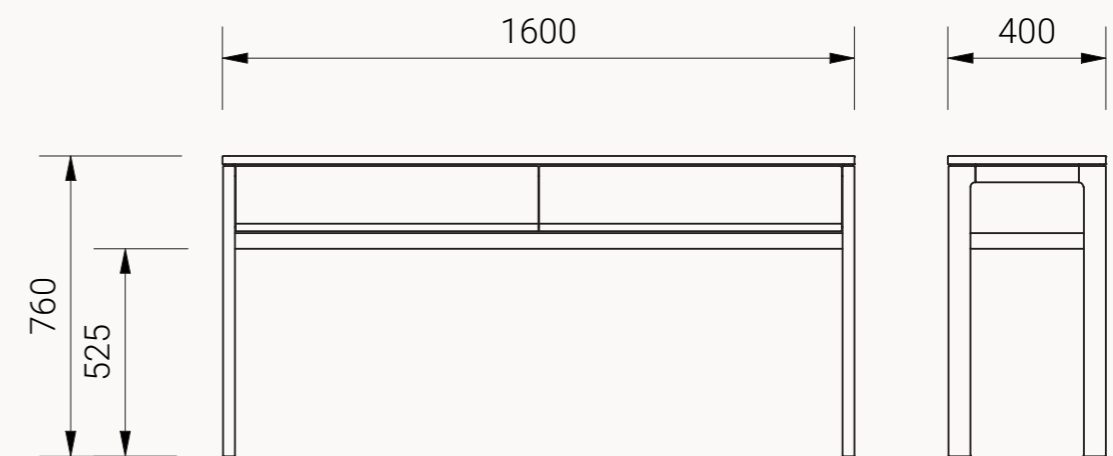


CONSOLE

Alessa Dining Collection



DIMENSIONS

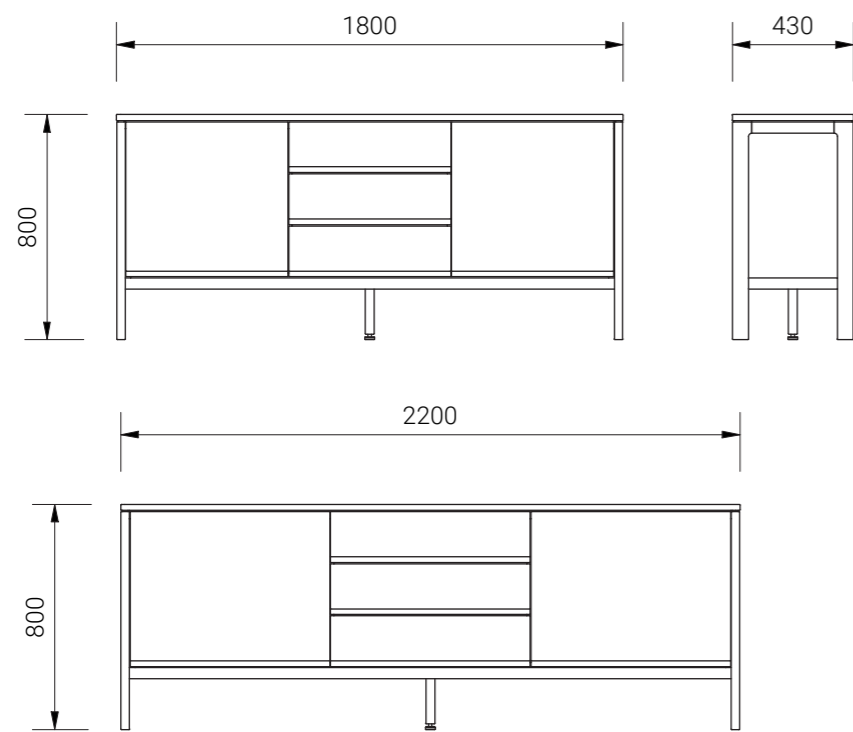


BUFFET

Alessa Dining Collection



DIMENSIONS

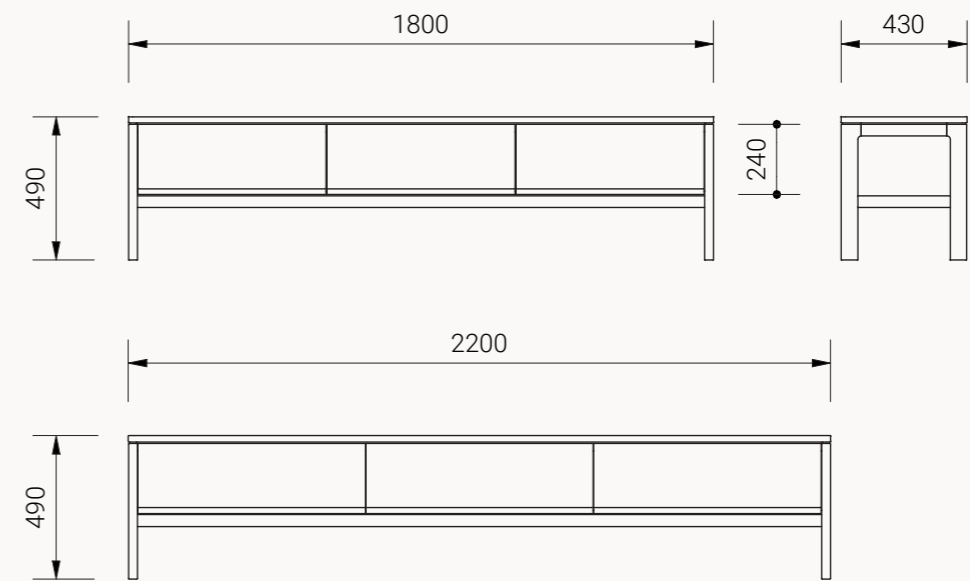


TV UNIT

Alessa Dining Collection



DIMENSIONS

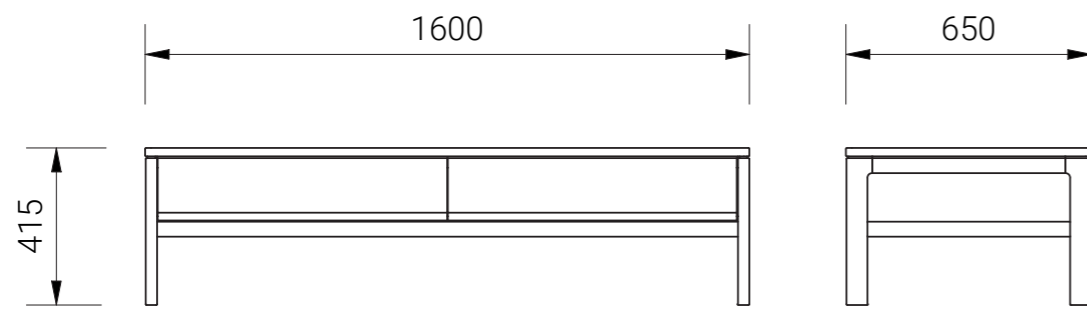


COFFEE TABLE

Alessa Dining Collection

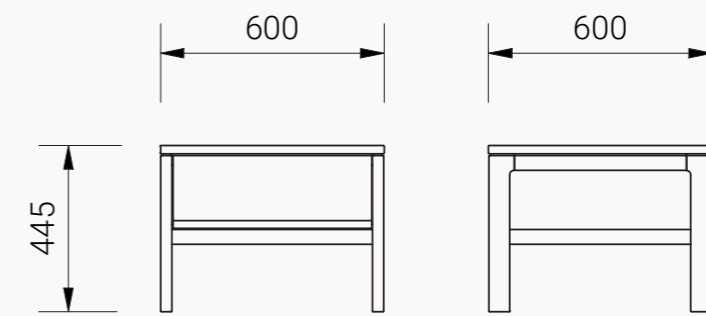


DIMENSIONS



LAMP TABLE

Alessa Dining Collection



TRINKITTEE